



SINGLE KEY (M12) PUR MICRO-LINK™ PLUG ASSEMBLIES

SPECIFICATIONS

MATERIALS

Body	PUR
O-Ring	Nitrile Rubber
Contact	Brass, Gold Plated over Nickel
Coupling Nut	Machined Aluminum, Black Anodized
Cable	#22 AWG PUR 26 x #36 Stranding, 80°C #18 AWG PUR 41 x #34 Stranding, 80°C, UL Recognized, CSA Certified
Cable Diameters	#22 AWG PUR without braid, 3/C-.18", 4/C-.19", 5/C-.21" #22 AWG PUR with braid, 3/C-.23", 4/C-.25", 5/C-.26" (braid not electrically connected) #18 AWG PUR, 3/C-.26", 4/C-.26", 5/C-.26"

ELECTRICAL

Voltage Rating	250 VAC/300 VDC
Current	#22 AWG-4A, #18 AWG-5A
Contact Resistance	≤5mΩ

ENVIRONMENTAL

Protection	IP67
Operating Temp	PUR:-20°C to 80°C

CERTIFICATIONS



Recognized,
File No. E165657



Certified,
File No. E165657

OPTIONS

#18 AWG (PUR) Cord Sets
Plastic Couplers
Stainless Steel Couplers

FEMALE PLUGS

PLUG ASSEMBLY PART NUMBERS

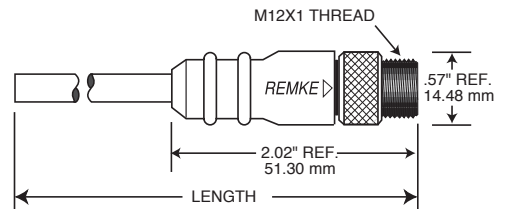
NUMBER OF POLES	Female Contact Rotation	Wiring Color Code
3		1-Brown 2-Not Used 3-Blue 4-Black
4		1-Brown 2-White 3-Blue 4-Black
5		1-Brown 2-White 3-Blue 4-Black 5-Gray

MALE PLUGS

PLUG ASSEMBLY PART NUMBERS

Number of Poles	Male Contact Rotation	Wiring Color Code
3		1-Brown 2-Not Used 3-Blue 4-Black
4		1-Brown 2-White 3-Blue 4-Black
5		1-Brown 2-White 3-Blue 4-Black 5-Gray

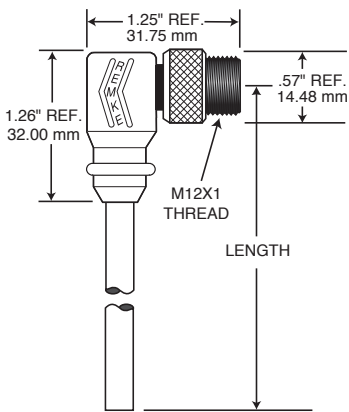
*Braid not electrically connected.



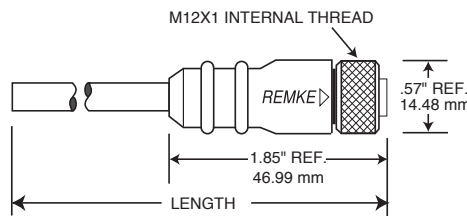
MALE STRAIGHT

Length	Wire Gauge (AWG)	Straight Plug Non-Braided	Straight Plug Braided*	90° Plug Non-Braided	90 Plug Braided*	Mating Male Receptacle
2M/6.6 FT.	#22 (PUR)	503A0066L	503A0066AL	503C0066L	503C0066AL	303P0010P
4M/13.1 FT.	#22 (PUR)	503A0131L	503A0131AL	503C0131L	503C0131AL	303P0010P
5M/16.4 FT.	#22 (PUR)	503A0164L	503A0164AL	503C0164L	503C0164AL	303P0010P
2M/6.6 FT.	#22 (PUR)	504A0066L	504A0066AL	504C0066L	504C0066AL	304P0010P
4M/13.1 FT.	#22 (PUR)	504A0131L	504A0131AL	504C0131L	504C0131AL	304P0010P
5M/16.4 FT.	#22 (PUR)	504A0164L	504A0164AL	504C0164L	504C0164AL	304P0010P
2M/6.6 FT.	#22 (PUR)	505A0066L	505A0066AL	505C0066L	505C0066AL	305P0010P
4M/13.1 FT.	#22 (PUR)	505A0131L	505A0131AL	505C0131L	505C0131AL	305P0010P
5M/16.4 FT.	#22 (PUR)	505A0164L	505A0164AL	505C0164L	505C0164AL	305P0010P

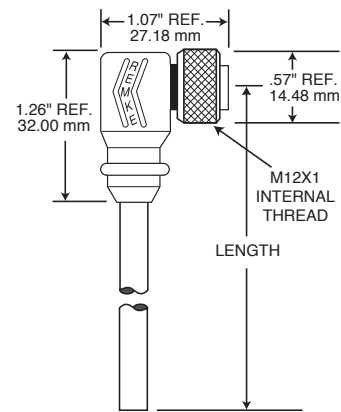
Length	Wire Gauge (AWG)	Straight Plug Non-Braided	Straight Plug Braided*	90° Plug Non-Braided	90 Plug Braided*	Mating Female Receptacle
2M/6.6 FT.	#22 (PUR)	503E0066L	503E0066AL	503F0066L	503F0066AL	303S0010P
4M/13.1 FT.	#22 (PUR)	503E0131L	503E0131AL	503F0131L	503F0131AL	303S0010P
5M/16.4 FT.	#22 (PUR)	503E0164L	503E0164AL	503F0164L	503F0164AL	303S0010P
2M/6.6 FT.	#22 (PUR)	504E0066L	504E0066AL	504F0066L	504F0066AL	304S0010P
4M/13.1 FT.	#22 (PUR)	504E0131L	504E0131AL	504F0131L	504F0131AL	304S0010P
5M/16.4 FT.	#22 (PUR)	504E0164L	504E0164AL	504F0164L	504F0164AL	304S0010P
2M/6.6 FT.	#22 (PUR)	505E0066L	505E0066AL	505F0066L	505F0066AL	305S0010P
4M/13.1 FT.	#22 (PUR)	505E0131L	505E0131AL	505F0131L	505F0131AL	305S0010P
5M/16.4 FT.	#22 (PUR)	505E0164L	505E0164AL	505F0164L	505F0164AL	305S0010P



MALE 90°



FEMALE STRAIGHT



FEMALE 90°

